

FIRE-FLO

WET BARREL FIRE HYDRANT **250 PSI Operating Pressure** **500 PSI Test Pressure**



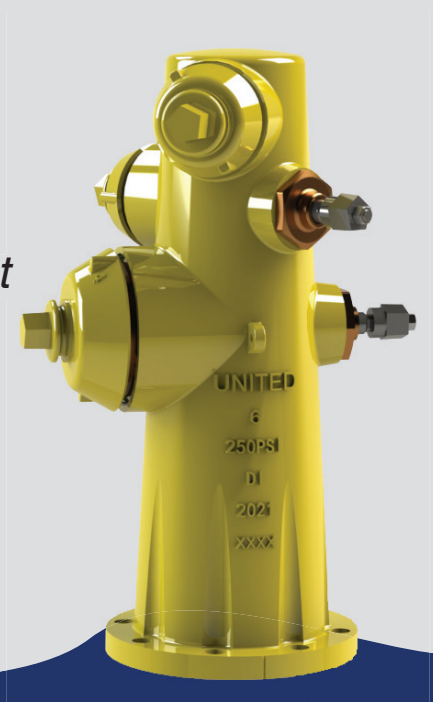
Model F-08
Wet Barrel Fire Hydrant



Model F-08-M
*Wet Barrel Fire Hydrant
with Monitor Attachment*



Model 8800
*Check Valve Assembly
for Use with Wet Barrel Fire Hydrant*



WARNING: This product can expose you to chemicals including lead, which is known to the State of California to cause cancer and birth defects or other reproductive harm. For more information go to www.P65Warnings.ca.gov.

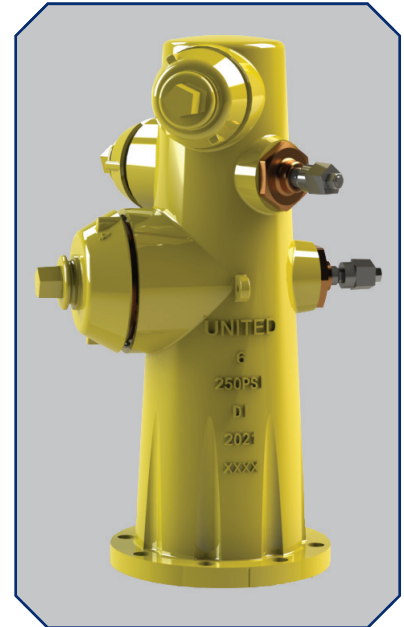
STANDARDS COMPLIANCE

**Model F-08 and F-08-M Wet Barrel Hydrants
comply with:**

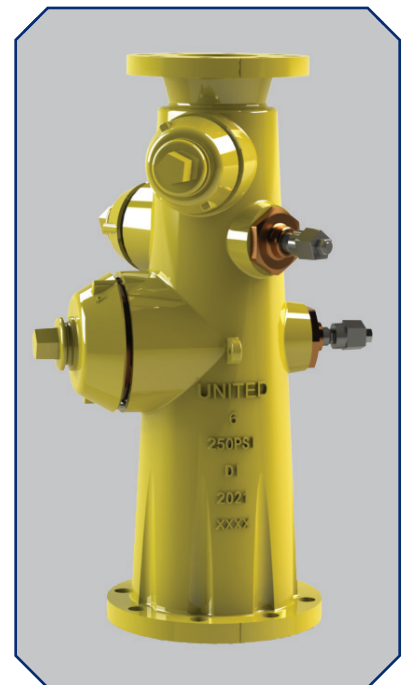
- SAES-B-017
- SAES-H101
- SAES-H002
- APCS-104
- 09-SAMSS-089

FEATURES/ADVANTAGES

1. UL Listed/FM Approved
2. Manufactured in accordance with AWWA C503 Standard.
3. Hydrant barrel is of high strength ductile iron, ASTM A536, Grade 65-45-12
4. Rated working pressure of 250 PSI at 33° F to 126° F, 500 PSI test pressure
5. 6" Flanged inlet connection to AWWA C110/ANSI B16.1, Class 125 or B16.5, Class 150RF drilling pattern.
6. Stems are blow-out proof and constructed of optional heavy duty silicon bronze or stainless steel.
7. Each valve assembly is furnished with an extra large volume rubber seat for superior flow and sealing performance.
8. Corrosion protection is accomplished by special epoxy coating, interior and exterior.
9. All nozzles are removable with a wide range of nozzle thread specifications.
10. Available:
 - 3-Way (2 Hose Nozzles - 1 Pumper Nozzle)
 - 2-Way (1 Hose Nozzle - 1 Pumper Nozzle)
 - 2-Way (2 Hose Nozzles)
 - Same configurations with Monitor Flange



Model F-08

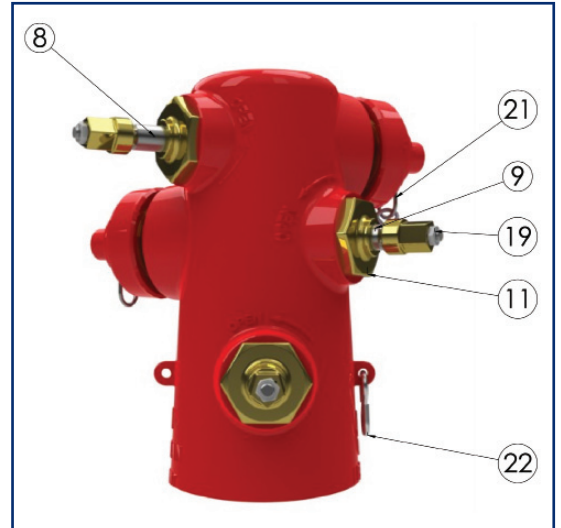
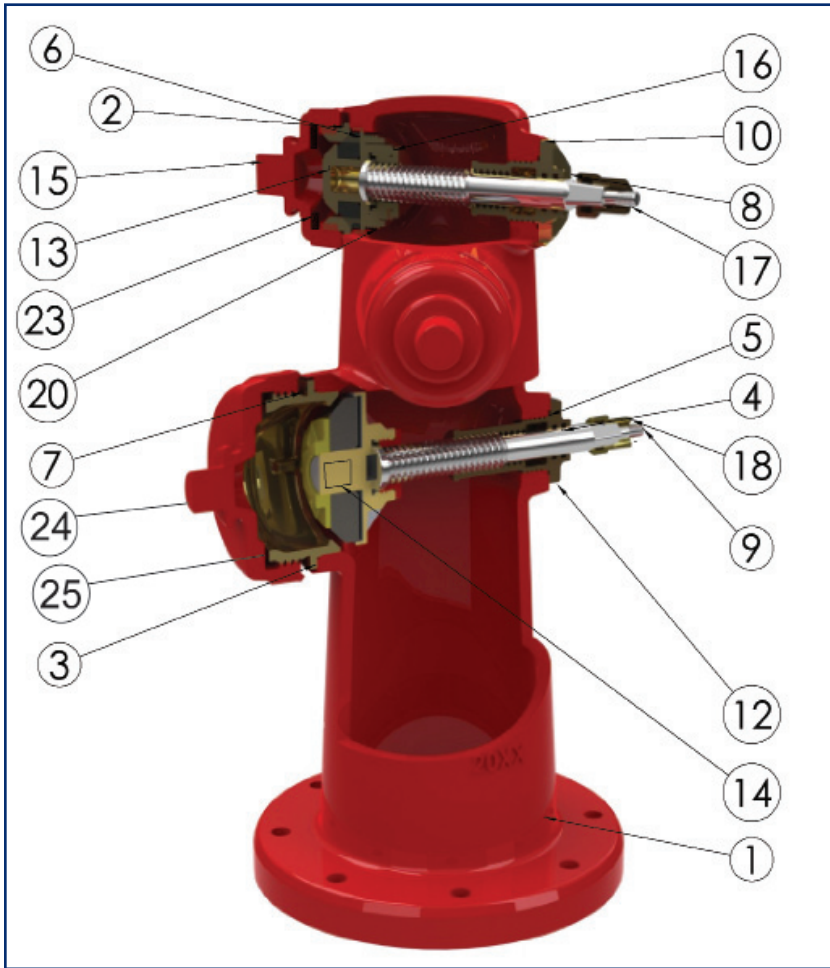


Model F08-M



WARNING: This product can expose you to chemicals including lead, which is known to the State of California to cause cancer and birth defects or other reproductive harm. For more information go to www.P65Warnings.ca.gov.

Wet Barrel Fire Hydrant Assembly



Item No.	Description	Material	Specification	Qty. Req'd
1	Hydrant Body	Ductile Iron	ASTM A536 grade 65-45-12	1
2	Hose Nozzle Insert, 2-1/2"	Bronze	ASTM C84400	2
3	Pumper Nozzle Insert	Bronze	ASTM C84400	1
4	O-ring, stem insert rubber	Rubber	EPDM	6
5	O-ring, insert rubber	Rubber	EPDM	3
6	O-ring, hose nozzle rubber	Rubber	EPDM	2
7	O-ring, pumper nozzle rubber	Rubber	EPDM	1
8	Stem, short	Stainless Steel	ASTM CF8	1
9	Stem, long	Stainless Steel	ASTM CF8	2
10	Stem insert, short hose	Bronze	ASTM C84400	1
11	Stem insert, medium hose	Bronze	ASTM C84400	1
12	Stem insert, long pumper	Bronze	ASTM C84400	1
13	Disc assembly, hose	Bronze	ASTM C84400	2
14	Disc assembly, pumper	Bronze	ASTM C84400	1
15	Hose cap, 2-1/2"	Cast Iron	ASTM A-126 Class B	2
16	Stem lock nut	Bronze	ASTM C84400	3
17	Op nut, 1-1/2" pentagon	Stainless Steel	ASTM CF8	2
18	Op nut, 1-1/2" pentagon	Stainless Steel	ASTM CF8	1
19	Op nut retaining nut	Stainless Steel	ASTM CF8	3
20	Set screw, stem locknut	Stainless Steel	ASTM A2-70	3
21	Wire rope	Stainless Steel	AISI 304	3
22	Hook	Stainless Steel	AISI 304	3
23	Hose cap gasket	Rubber	EPDM	2
24	Pumper cap	Cast Iron	ASTM A-126 Class B	1
25	Pumper cap gasket	Rubber	EPDM	1

AVAILABLE CONFIGURATIONS



**3-Way Valve Opening,
2 Hose Nozzles & 1 Pumper Nozzle**

Part No	Est. Shipping Wgt. (lbs.)
F-08-2HN-1PN	160



**3-Way Valve Opening,
2 Hose Nozzles & 1 Pumper Nozzle
with 3" or 4" Monitor Flange**

Part No	Est. Shipping Wgt. (lbs.)
F-08-M-2HN-1PN	170

**2-Way Valve Opening,
1 Hose Nozzles & 1 Pumper Nozzle**

Part No	Est. Shipping Wgt. (lbs.)
F-08-1HN-1PN	160

**2-Way Valve Opening,
1 Hose Nozzles & 1 Pumper Nozzle
with 3" or 4" Monitor Flange**

Part No	Est. Shipping Wgt. (lbs.)
F-08-M-1HN-1PN	170

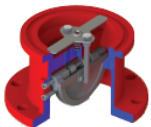
**2-Way Valve Opening,
2 Hose Nozzles**

Part No	Est. Shipping Wgt. (lbs.)
F-08-2HN	160

**2-Way Valve Opening,
2 Hose Nozzles
with 3" or 4" Monitor Flange**

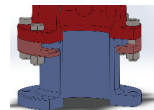
Part No	Est. Shipping Wgt. (lbs.)
F-08-M-2HN	170

OPTIONAL PRODUCTS



**Check Valve Assembly
for use with Wet Barrel Fire Hydrant**

Part No	Est. Shipping Wgt. (lbs.)
8850-06	55



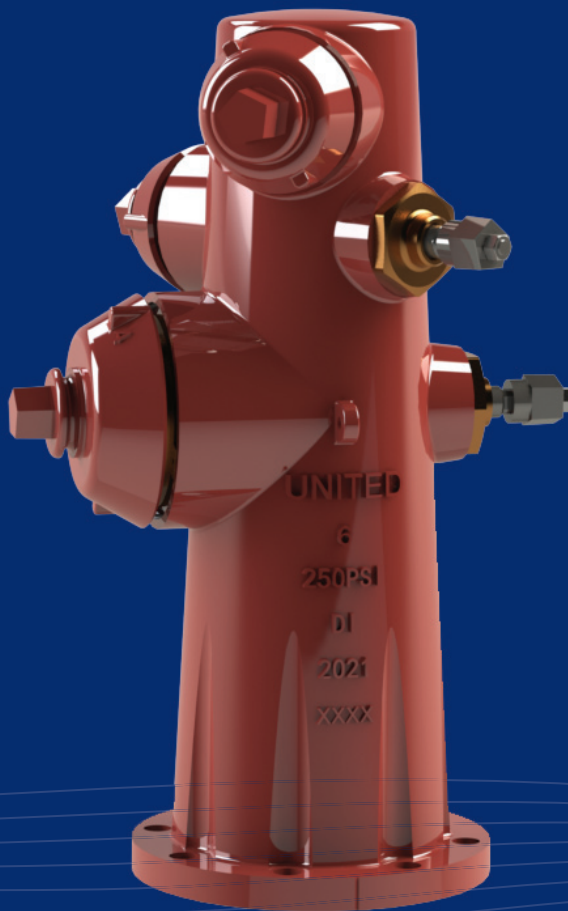
**Breakaway Traffic
Kit**

Part No	Est. Shipping Wgt. (lbs.)
F-08-301	42



Operating Wrench

Part No	Est. Shipping Wgt. (lbs.)
F08-312	7



UNITED Water 
Products

5355 Ramona Blvd.
Jacksonville, FL 32205
Tel: 877-766-4459 • Fax: 877-766-4458
www.unitedwaterproducts.com

WFH-1021